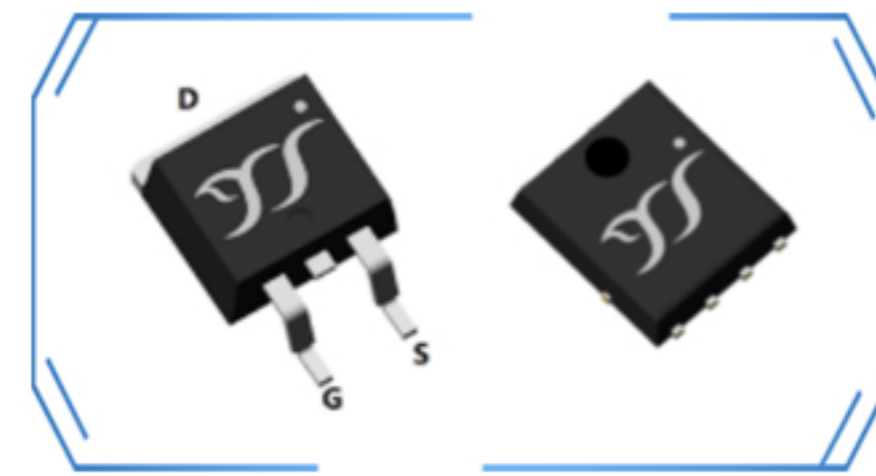


## SGT MOSFET for PV Microinverter

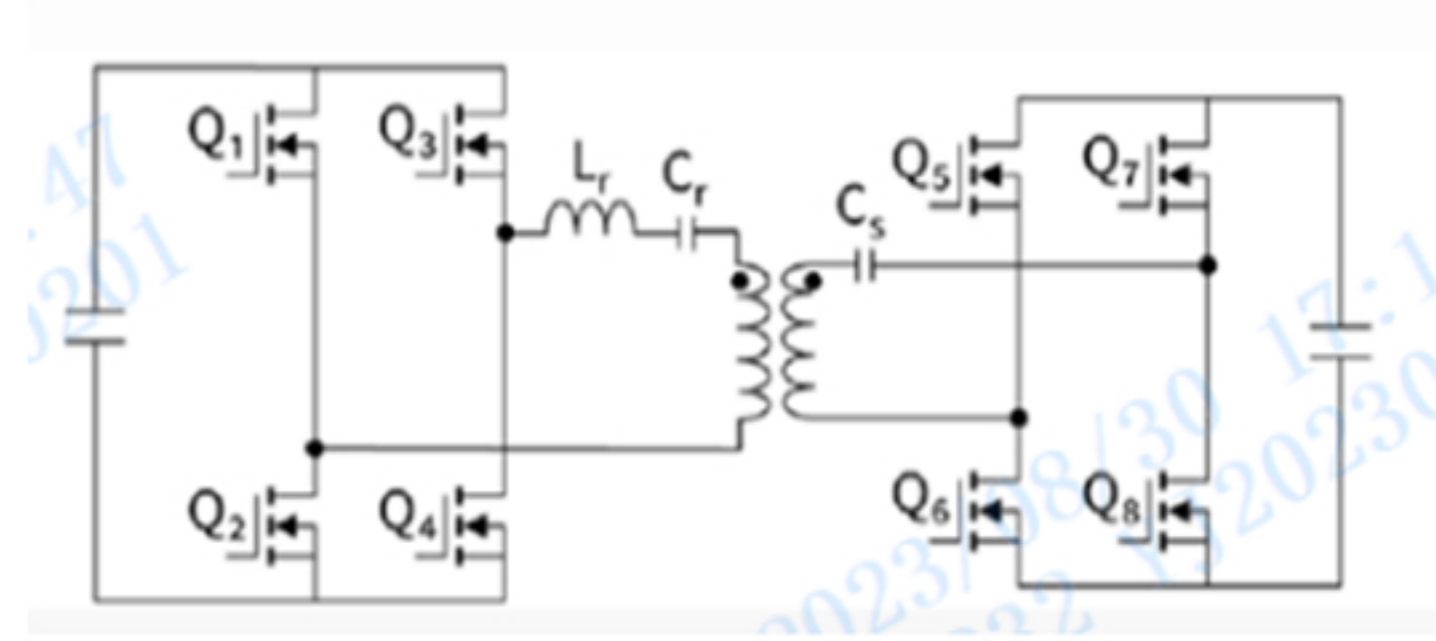
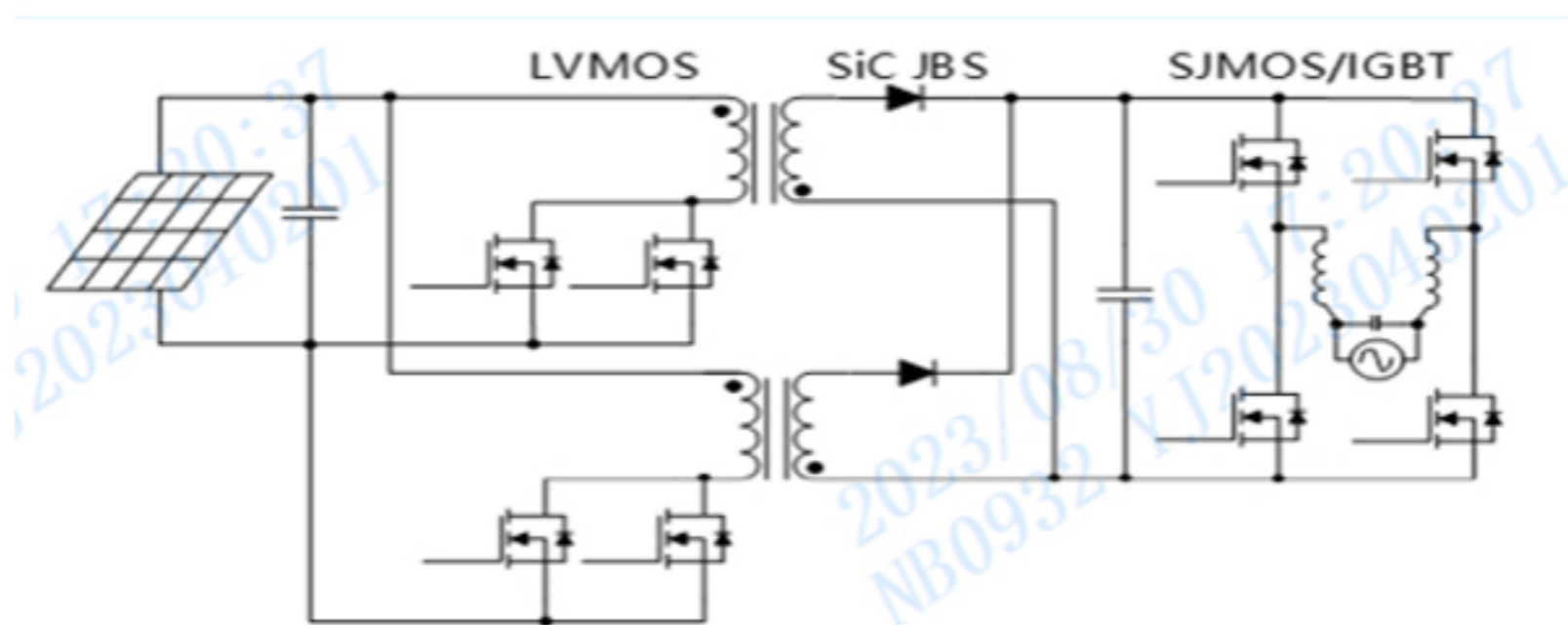
### Product Introduction

With the increasing demand for energy consumption, energy storage technology and renewable energy are becoming more and more important. PV inverter is a device that converts direct current generated by photovoltaic panels into alternating current. They play an important role in the new energy market, and is a key element in the development of renewable energy. Yangjie Technology recently launched N800V SJ TO-263 and N150V SGT PDFN5X6 MOSFET, which can be used for output inverter and primary circuit control of PV microinverter products.



### Product Features

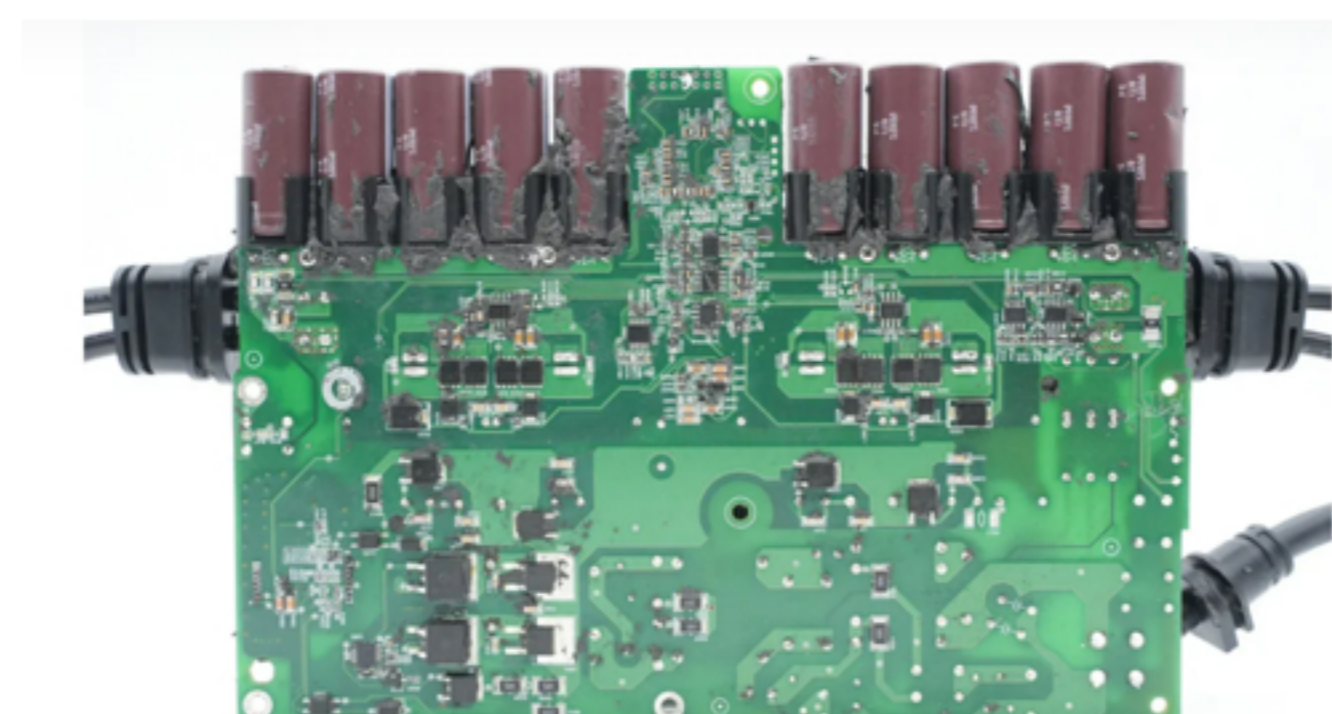
- 1、 The output inverter part adopts N800V superjunction TO-263 package, and the primary control adopts N150V SGT PDFN5X6 package.
- 2、 UIS capability is strong, Qg and Rds parameters are better.



### Electrical Parameters

P/N	N/P	Vds (V)	ID (A)	Vth (V) typ.	Rds10V (mohm) typ.	Rds10V (mohm) max.	Qg10V (nC) typ.	Tj (°C)	Package
YJB17C80HJ	N	800	17	3	220	290	56	-55-150	TO-263
YJG55G15H	N	150	55	2.9	14	19	40	-55-150	PDFN5060
YJG75G15H	N	150	75	3	9.2	11.8	48	-55-150	PDFN5060

### Application



PV Microinverter Power Module